

LX-6RB

SINGLE GLASS DOOR
MERCHANDISER REFRIGERATOR



Countertop single door merchandiser refrigerator energy efficient, eco-friendly HC refrigerant with low charge, spark-free components, professional technical service and unmatched warranty.



KEY FEATURES

- **Eco-Friendly Refrigerant**
Environmentally friendly R600 hydrocarbon refrigerant has low global warming potential (GWP). Meets all USA, California & Canada refrigerant & energy standards.
- **Mechanical Temperature Controller**
Electronic controller assures optimal refrigeration performance through precision temperature control.
- **High Power Reliable Refrigeration System**
Fast pull down, optimal internal air circulation and reliable refrigeration, maintaining colder temperatures for food preservation.
- **Standard LED Lighting System**
Ultra bright 250 LUX, low energy interior LED illumination system provides optimal merchandise display visibility. Low profile, door mounted, clip-in LED design.
- **Spark-Free Refrigeration Components**
All glass door merchandiser models have spark free refrigeration components for optimal safety, per UL requirements.
- **Low Noise Refrigeration Unit**
Rated under 65 Db



**INDUSTRY'S FIRST
40/80 WARRANTY**

40 months parts and labor / 80 months on compressor and part only



www.mvpgroupcorp.com



3560 NW 56th Street
Fort Lauderdale, FL 33309
Tel.: 786.600.4687 / Toll Free: 844.218.8477
Fax.: 786.661.4100



5659 Royalmount Avenue
Montreal, Qc, Canada H4P 2P9
Tel.: 514.737.9701 / Toll Free: 888.275.4538
Fax.: 514.342.3854 / Toll Free: 877.453.8832

sales@mvpgroupcorp.com

LX-6RB

SINGLE GLASS DOOR
MERCHANDISER REFRIGERATOR

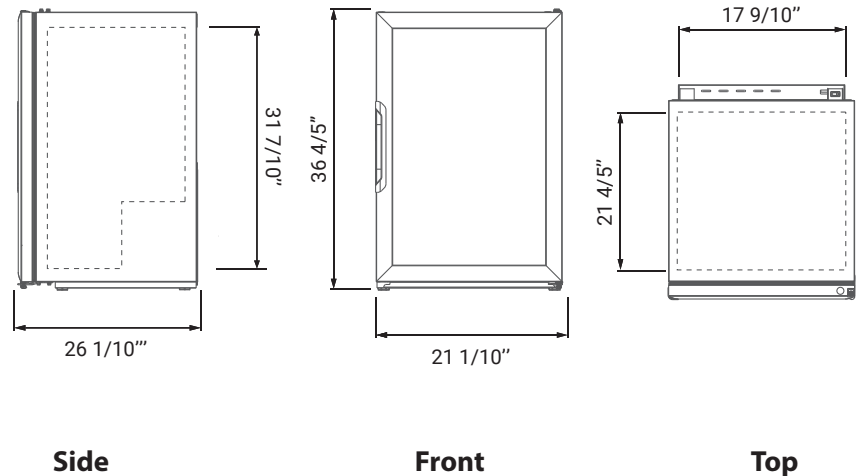


PRODUCT VIEWS

ACCESSORIES (OPTIONAL)

- Gravity Kit
20 oz Bottle "Pack Out" Capacity: 160
- Extra Shelf
- Price Tag
- Door Decals*
- Side Decals*
- Whole Cabinet Decals*

*Minimum Qty required



TECHNICAL SPECIFICATIONS

Exterior Dimensions	Usable Interior Capacity	Material
H: 36 4/5" (93 cm)	H: 31 1/5" (79 cm)	Slim Flat Plastic Frame
W: 21 1/10" (54 cm)	W: 16 7/10" (42 cm)	Shelves 2
D: 26 1/10" (66 cm)	D: 16 2/5" (42 cm)	Shelf Size
Interior Dimensions	Usable Volume	W: 17 1/10" (44 cm)
H: 31 7/10" (80 cm)	5,1 Ft3 / 144 L	D: 17 1/10" (44 cm)
W: 17 9/10" (46 cm)	Doors	Exterior Material Pre-painted steel
D: 21 4/5" (55 cm)	1	Interior Material Pre-painted steel
REFRIGERATION PERFORMANCE	ELECTRICAL	LOGISTICS
Refrigerant	Power Supply	Trailer Loads
R600 / 1.06 oz (0.03 kg)	115V/60Hz	53': 160
Compressor Power	Plug Type	Unit Weight
1/10 HP	NEMA 5-15P	119 lb (54 kg)
Thermostat default setting	Amps	Shipping Weight
32°F (0°C) to 44.6°F (7°C)	1.8	124.5 lb (56,5 kg)
Energy Consumption	Controller	Shipping Dimensions
1.256 kWh/24h	ETC1H	H: 37 3/5" (96 cm)
Condenser	Lighting	W: 22 1/2" (57 cm)
Dynamic	3 modules, 24 LED per	D: 29 2/5" (75 cm)
	Cord Length	
	128" (327 cm)	

KOOL-IT SIGNATURE is a registered trademark of MVP Group. Specifications subject to change without notice.



www.mvpgroupcorp.com



3560 NW 56th Street
Fort Lauderdale, FL 33309
Tel.: 786.600.4687 / Toll Free: 844.218.8477
Fax.: 786.661.4100



5659 Royalmount Avenue
Montreal, Qc, Canada H4P 2P9
Tel.: 514.737.9701 / Toll Free: 888.275.4538
Fax.: 514.342.3854 / Toll Free: 877.453.8832

sales@mvpgroupcorp.com